

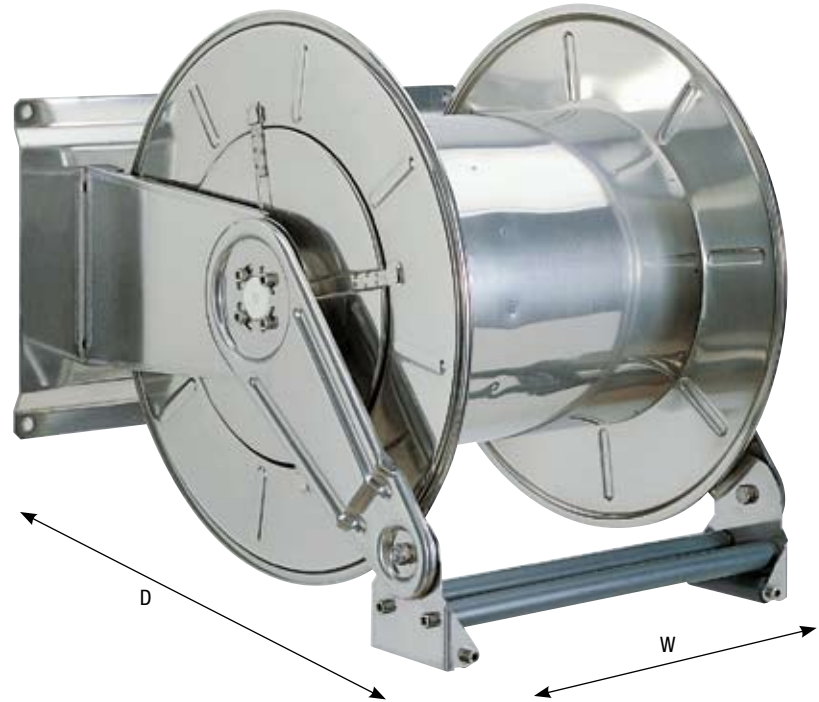
## Redashe Stainless Steel Hose Reels

### STAINLESS STEEL SPRING REWIND HOSE REELS

The CAV1200/1300/6000 and 6001 Series stainless steel spring rewind hose reels are constructed in 304-grade stainless steel and other non-corroding materials. These reels are designed for harsh, corrosive environments or where hygiene is of primary importance. Ideally suited for wash down applications in food processing areas, marine and offshore.

#### FEATURES:

- ATEX Approval on request (additional charge)
- 304 grade stainless steel
- Drum is double supported for strength
- Adjustable full width roller guides
- Ribbed side arms
- Durable nylon hub assemblies
- Adjustable side arms
- Suitable for floor, wall, ceiling or vehicle mounting
- Up to 3000psi
- Supplied as bare reel, hose can be supplied at extra cost



Model Ref	Max psi	Inlet	Outlet	Hose Capacity (M)	Dimensions WxDxH (cm)	Bare Reel Weight	Optional Wall Bracket Ref
CAV1200	3000	1" Male	1" Male	13m x 3/4"/8m x 1"	29 x 50 x 48	21 kgs	CST20
CAV1300	300	1" Male	1" Male	18m x 3/4"/15m x 1"	48 x 50 x 48	24 kgs	CST22
CAV6000	3000	1/2" Male	1/2" Male	60m x 3/8"/60m x 1/2"	59 x 59 x 59	50 kgs	N/A
CAV6001	300	1" Male	1" Male	40m x 3/4"/30m x 1"	59 x 59 x 59	51 kgs	N/A

## Redashe Stainless Steel Wall Mounting Brackets

### ST30-ST22 AND ST15-ST20 PIVOTING WALL BRACKET

